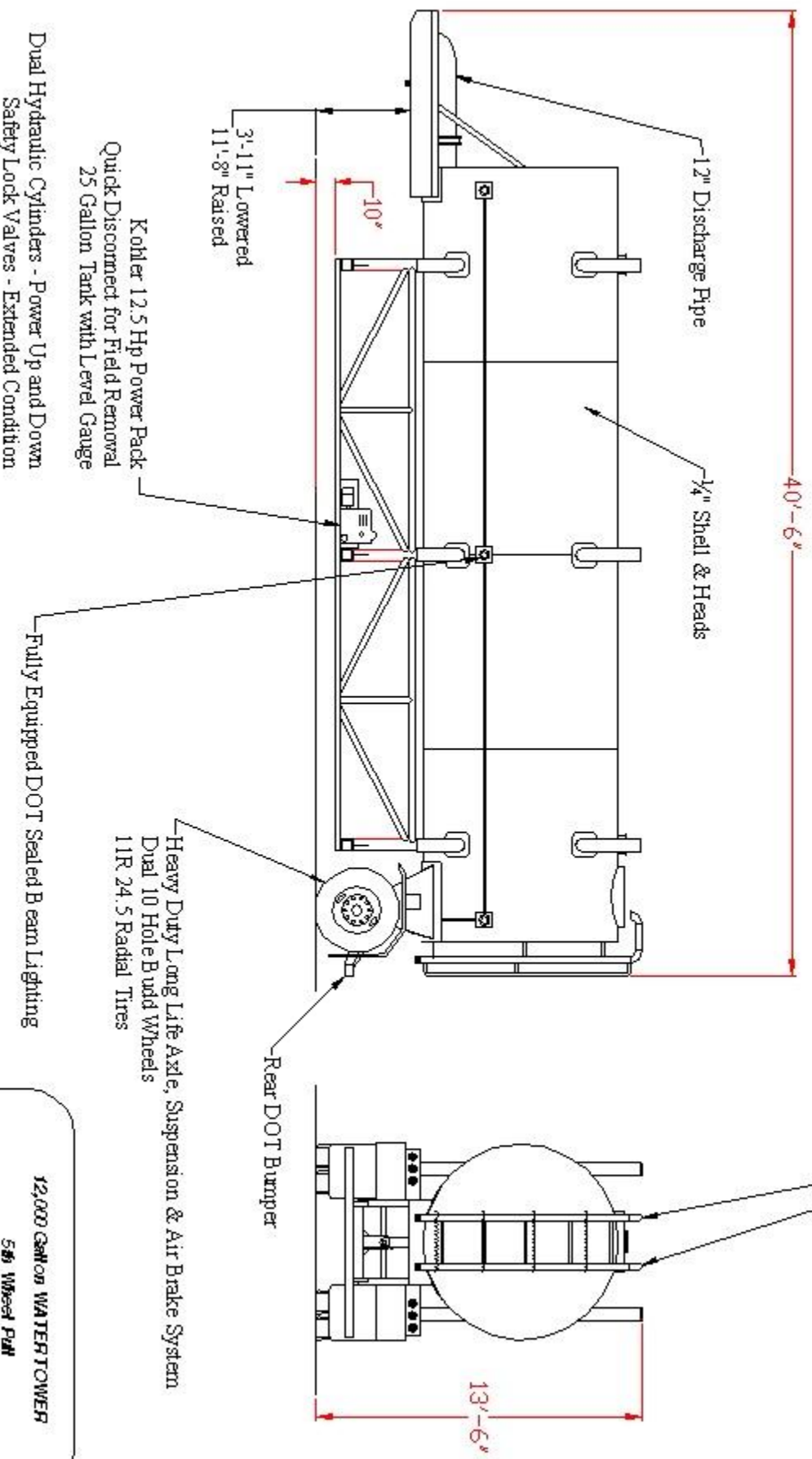


Dual 3" Fill Lines w/ Approved Air Gap  
 Dual Hydrant Fill Float System w/ Automatic Shut Off  
 Rear Access Ladders (Inside/Outside)



**12,000 Gallon WATERTOWER**  
**560 Wheel Pk**  
**Hydraulic Lift**  
**MAVERICK EQUIPMENT LLC**  
 PHOENIX, ARIZONA